

DF 82 (B714)

DF 82 (B714)

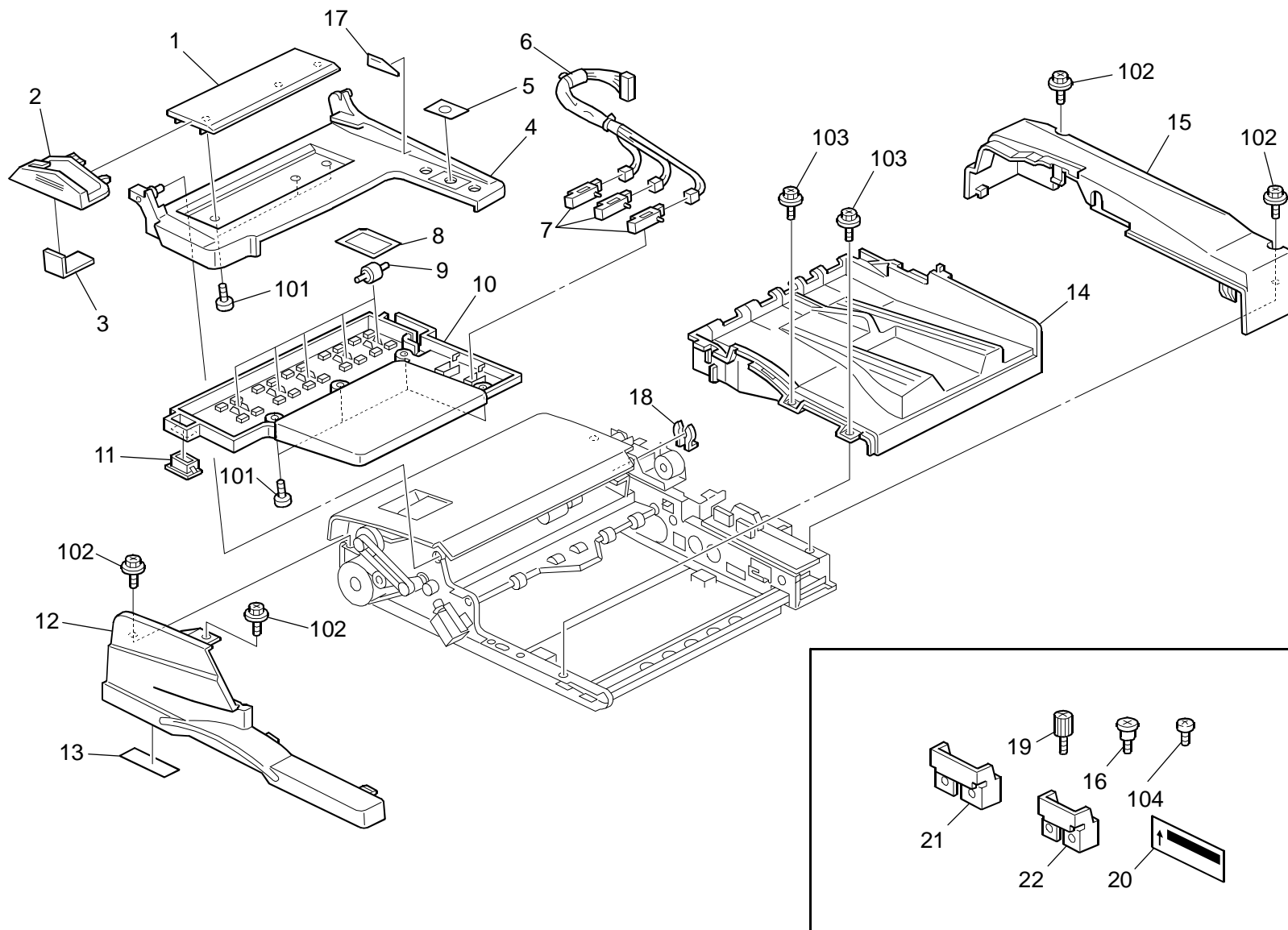
PARTS CATALOG

This catalog gives the numbers and names of parts on this machine.

1.EXTERIOR (B714).....	2
2.ORIGINAL FEED 1 (B714)	4
3.ORIGINAL FEED 2 (B714)	6
4.ORIGINAL FEED 3 (B714)	8
5.ORIGINAL TRANSFER (B714)	10
6.ORIGINAL EXIT (B714).....	12
7.ELECTRIBAL AND DRIVE 1 (B714)	14
8.ELECTRIBAL AND DRIVE 2 (B714)	16
9.FRAME SECTION (B714).....	18
10.DECAL AND DOCUMENTS	20
PARTS INDEX.....	23

February ,10 ' 2005

1.EXTERIOR (B714)

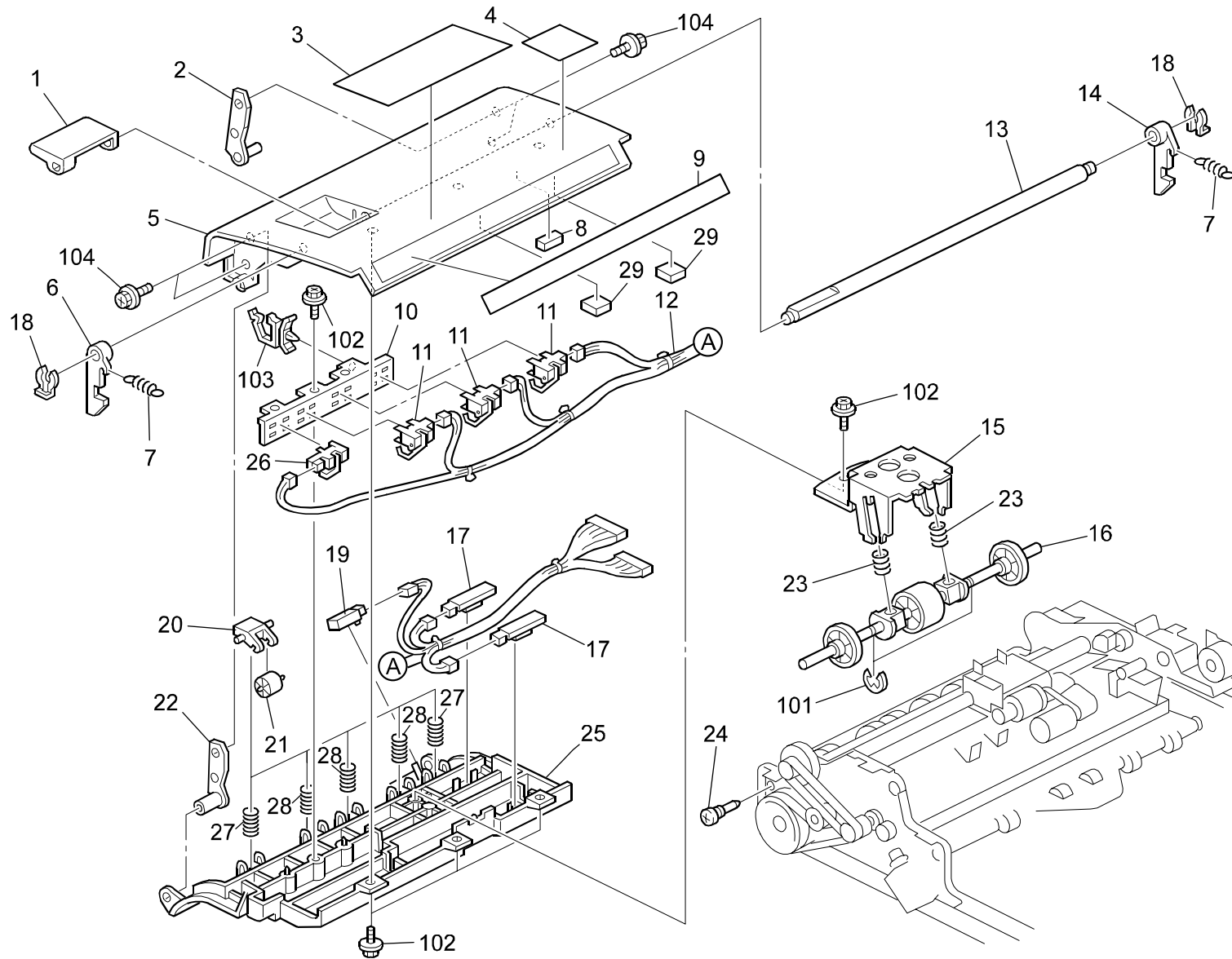


1.EXTERIOR (B714)

Index No.	Part No.	Description	Q'ty Per Assembly
1	G564 4151	Rail - Side Fence	1
2	G564 4125	Side Fence	1
3	A376 4599	Side Fence Pad	1
4	B541 4123	Original Table	1
5	B541 6011	Decal:Display:Original Table	1
6	B714 5330	Harness:Connecting:Original Sensor	1
7	AW01 0112	Photo Refiection Sensor:Original Table	3
8	A858 4676	Spring Plate - Pressure Roller	5
9	A858 4671	Roller Driven	5
10	B541 4133	Original Table:Behind	1
11	AG07 0513	Magnet Catch:Original Table:25.5n	1
12	G564 4212	Front Cover	1
13	G564 6041	Decal - Exit Misfeed Removal	1
14	G564 4232	Exit Tray	1
15	G564 4222	Rear Cover	1
16	A376 4911	Stepped Screw - Left Hinge	2
17	B386 6043	Decal - Side Fence	1
18	5215 2621	Snap Ring - M6	1
19	A628 3115	Knob Screw - M4	4
20	G564 6087	Decal:Exposure Glass:5-Lang	1
21	B714 1251	Stopper:Hinge:Left	1
22	B714 1252	Stopper:Hinge:Right	1

Index No.	Part No.	Description	Q'ty Per Assembly
101	0452 3008N	Tapping Screw - M3x8	
102	0451 3008N	Tapping Screw - M3x8	
103	0353 0050N	Screw-m3x5	
104	0951 4010B	Philips Screw With Washer - M4x10	

2.ORIGINAL FEED 1 (B714)

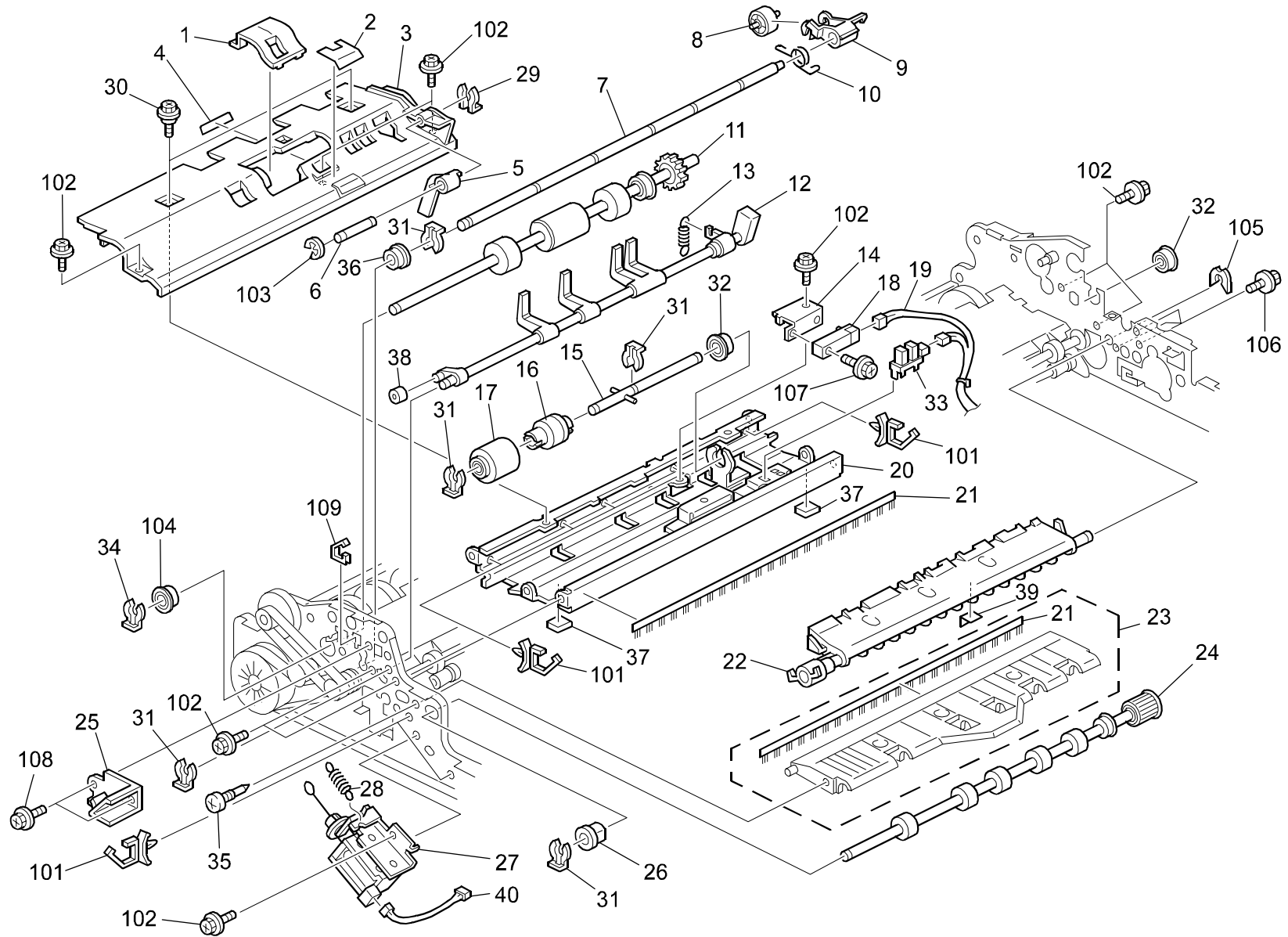


2.ORIGINAL FEED 1 (B714)

Index No.	Part No.	Description	Q'ty Per Assembly
1	G564 4515	Grip - Cover	1
2	B714 1371	Supporting Plate:Cover:Rear:Ass'y	1
3	G564 6032	Decal - Misfeed Removal	1
4	G564 6077	Decal:Exposure Glass:5-Lang	1
5	G564 4511	Paper Feed Cover	1
6	B351 4522	Front Lever - Top Cover	1
7	AA06 0844	Tension Spring	2
8	B351 4536	Cushion - Paper Feed	1
9	G564 6021	Decal - Original Size	1
10	B541 3165	Bracket:Paper Size Sensor	1
11	AW02 0155	Photointerruptor:Paper Size Sensor	3
12	B541 5310	Harness:Connecting:Registration	1
13	B351 4512	Shaft - Lever	1
14	B351 4526	Rear Lever - Top Cover	1
15	B541 3171	Bracket:Pressure Plate:Pull Out	1
16	B351 3141	Pull-out Roller	1
17	AW01 0091	Photo Reflection Sensor	2
18	5447 2681	Snap Ring	2
19	AW01 0109	Photo Refiection Sensor:PS117ED1	1
20	B351 3183	Holder - Driven Roller	5
21	B351 3182	Driven Roller	5
22	B714 1375	Supporting Plate:Cover:Front:Ass'y	1
23	AA06 3856	Pressure Spring	2
24	AA14 3788	Pin:Guide Plate:Paper Feed	1
25	B541 3115	Guide:Cover:Paper Feed	1
26	AW02 0154	Photointerruptor:Entrance	1
27	AA06 3858	Pressure Spring	2
28	AA06 3857	Pressure Spring	3
29	B351 4538	Cushion - Pickup Roller Arm	2

Index No.	Part No.	Description	Q'ty Per Assembly
101	0720 0040E	Retaining Ring - M4	
102	0452 3008N	Tapping Screw - M3x8	
103	1105 0516	Clamp	
104	0451 3010N	Tapping Screw:3x10	

3.ORIGINAL FEED 2 (B714)

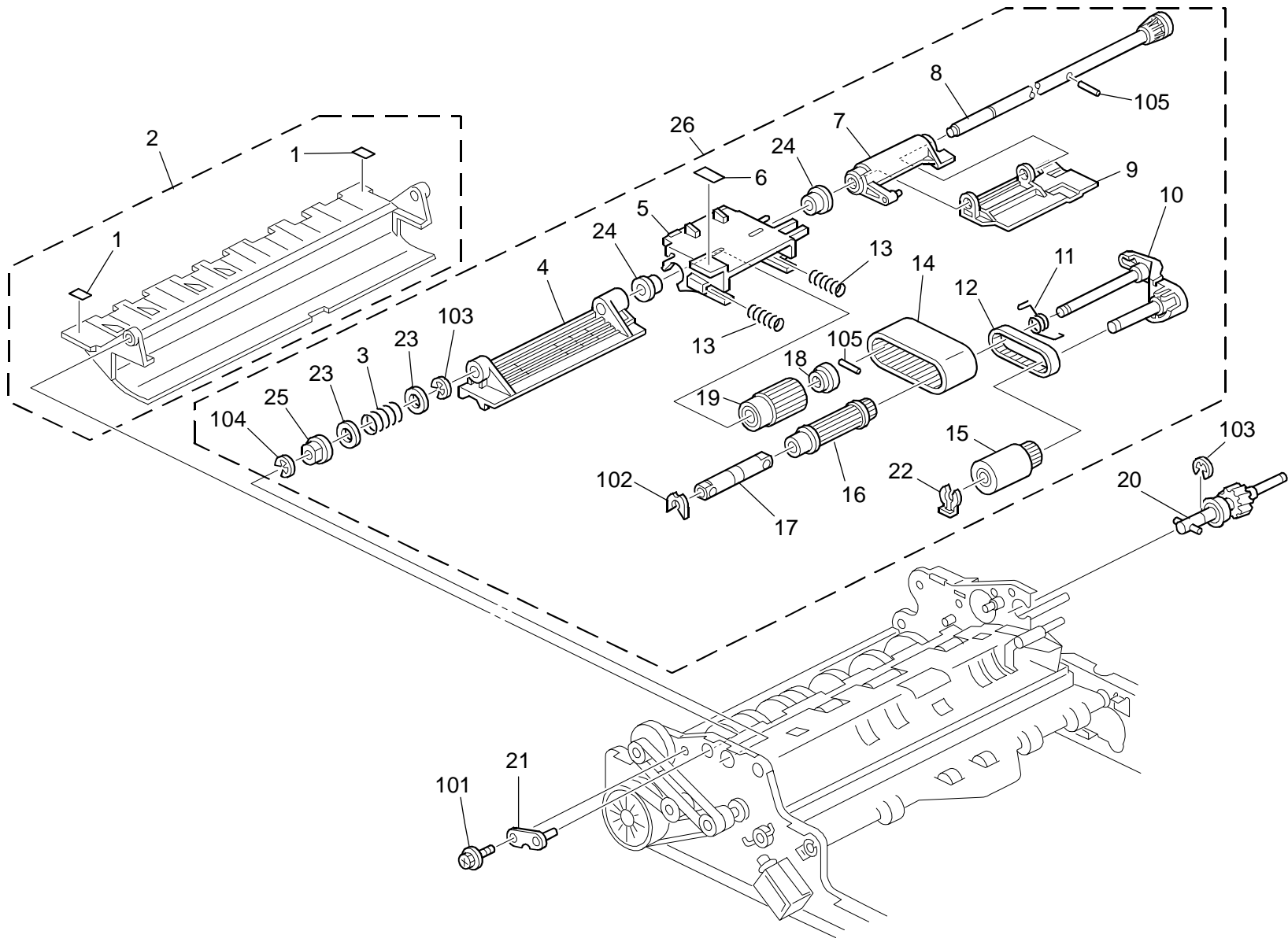


3.ORIGINAL FEED 2 (B714)

Index No.	Part No.	Description	Q'ty Per Assembly
1	B351 2522	Cap:Guide:Separation:Upper	1
2	B351 2571	Sheet - Pick-up Roller	1
3	B351 2511	Upper Guide - Paper Separation	1
4	B351 2561	Entrance Sheet - Separation	1
5	B351 2541	Feeler - Original Sensor	1
6	B351 2531	Stud - Original Sensor Feeler	1
7	B351 3933	Shaft - Reverse Roller	1
8	A680 3161	Driven Roller	1
9	B351 3932	Arm - Reverse Roller	1
10	AA06 0849	Tension Spring	1
11	B351 2321	Pull Out Roller	1
12	B351 2311	Original Stopper	1
13	AA06 0843	Tension Spring	1
14	B541 3952	Bracket:Sensor:Reverse	1
15	B351 2410	Shaft - Reverse Roller	1
16	A294 6700	Torque Limiter - 53MNXM	1
17	A859 2241	Reverse Roller	1
18	AW01 0109	Photo Refiection Sensor:PS117ED1	1
19	B541 5220	Harness:Sensor:Original Sensor	1
20	B541 1161	Stay:Paper Feed:Ass'y	1
21	B351 3835	Discharge Brush - Exit	2
22	B351 3822	Inverter Gate	1
23	G564 3831	Guide Plate:Reverse:Outer:Ass'y	1
24	B351 3882	Inverter Roller	1
25	B351 4142	Stopper - Original Table	1
26	5053 0447	Bushing - 6mm	1
27	B714 3861	DC Solenoid:Reverse:Outer:Ass'y	1
28	AA06 0848	Tension Spring	1
29	5206 2686	Snap Ring	1
30	AA14 3795	Screw:Lamp:Bracket	2
31	5447 2681	Snap Ring	5
32	A859 2230	Ball Bearing - 6x13x5	2
33	AW02 0156	Photointerruptor:EE-SX4235A-P2	1
34	5215 2621	Snap Ring - M6	1
35	AA14 3788	Pin:Guide Plate:Paper Feed	1

Index No.	Part No.	Description	Q'ty Per Assembly
36	A376 1465	Feed Roller Bushing	1
37	B351 3825	Cushion - Inverter Gate	2
38	A458 2251	Cushion - Bin Solenoid Lever	1
39	B351 3827	Exit Guide	1
40	B541 5290	Harness:Motor:Pick Up	1
101	1105 0516	Clamp	
102	0451 3006N	Tapping Screw - 3x6	
103	0720 0030E	Retaining Ring - M3	
104	0742 3808	Ball Bearing - 8x16x5	
105	0805 0088	Retaining Ring - M6	
106	0452 3008N	Tapping Screw - M3x8	
107	0451 3012N	Tapping Screw:3x12	
108	0802 5276	Tapping Screw With Washer - M3x6	
109	1105 0514	Edge Saddle - EDS-0607L	

4.ORIGINAL FEED 3 (B714)

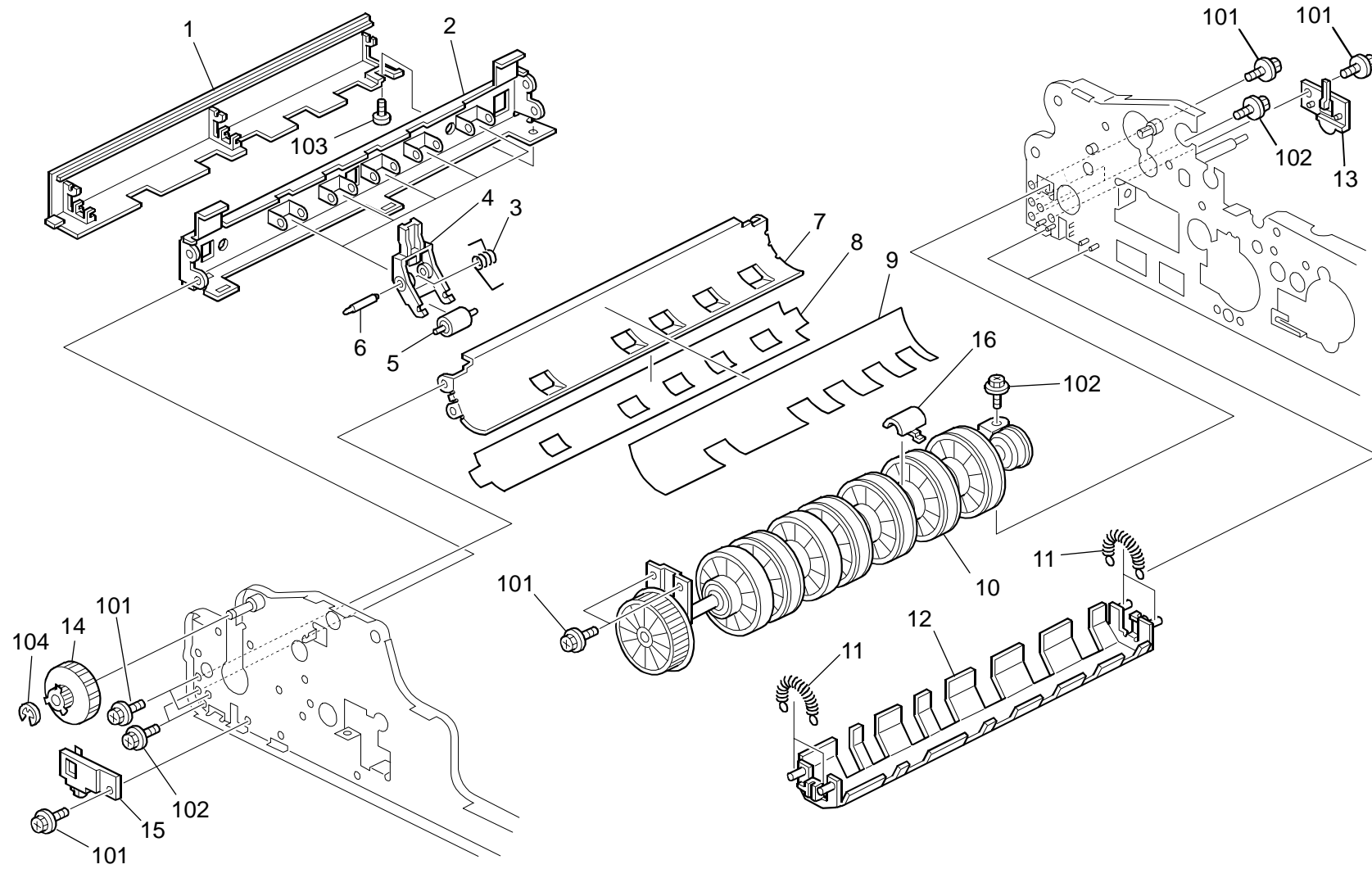


4.ORIGINAL FEED 3 (B714)

Index No.	Part No.	Description	Q'ty Per Assembly
1	A054 2977	Decal - Vertical Transport Guide	2
2	B351 3191	Guide Plate:Transport:Lower	1
3	AA06 3861	Pressure Spring	1
4	B351 2151	Front Guide - Paper Feed	1
5	B351 2252	Bracket:Paper Feed Belt	1
6	A858 6022	Decal Blue	1
7	B351 2131	Pick-up Lever	1
8	B351 2111	Shaft - Paper Feed	1
9	B351 2141	Rear Guide - Paper Feed	1
10	B351 2161	Arm - Pick-up Roller	1
11	AA06 6629	Tension Spring	1
12	AA04 3929	Timing Belt - B40S2M114	1
13	AA06 3863	Pressure Spring	2
14	B351 2222	Paper Feed Belt	1
15	B351 2126	Pickup Roller	1
16	B351 2242	Timing Pulley - 26/30Z	1
17	A680 1865	Shaft - Belt Guide Roller	1
18	B351 2181	Bushing - 8mm	1
19	B351 2231	Timing Pulley - 36Z	1
20	B351 1741	Drive Gear - Paper Feed	1
21	B541 1321	Stud:Contact Point:Guide:Ass'y	1
22	5447 2681	Snap Ring	1
23	AA13 2013	Spacer	2
24	A628 1225	Bushing - 8mm	2
25	5304 1639	Bushing - 8mm	1
26	B714 2010	Paper Feed Belt:Ass'y	1

Index No.	Part No.	Description	Q'ty Per Assembly
101	0802 5276	Tapping Screw With Washer - M3x6	
102	0805 0089	Retaining Ring - M4	
103	0720 0060E	Retaining Ring - M6	
104	0720 0040E	Retaining Ring - M4	
105	0632 0120G	Parallel Pin - 2x12	

5.ORIGINAL TRANSFER (B714)

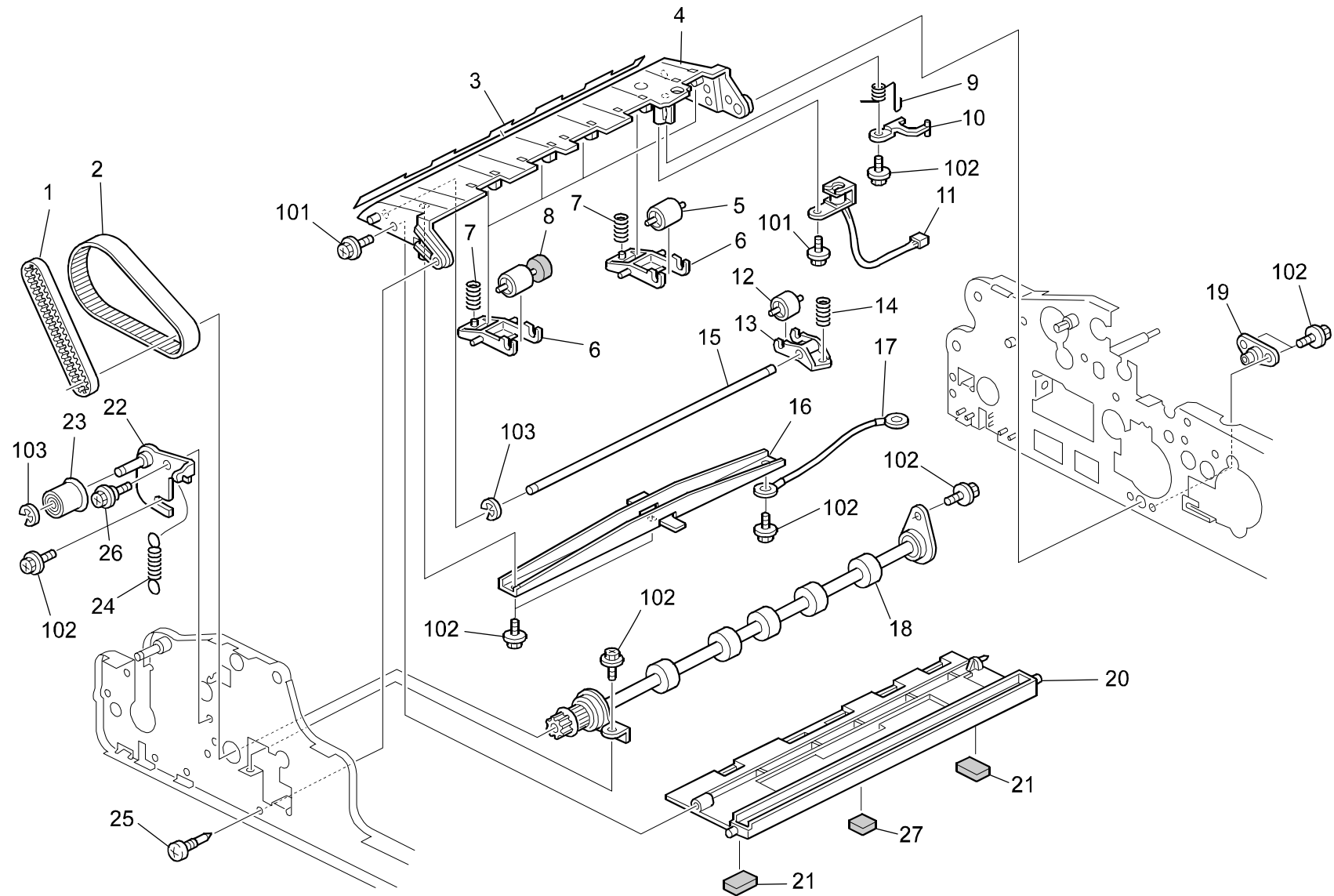


5.ORIGINAL TRANSFER (B714)

Index No.	Part No.	Description	Q'ty Per Assembly
1	G564 4252	Lower Paper Feed Cover	1
2	B541 1131	Stay:Left:Ass'y	1
3	AA06 6630	Tension Spring	5
4	B351 1135	Arm - Driven Roller	5
5	B597 1136	Roller:Scanning:Front	5
6	B351 1137	Shaft - Driven Roller	5
7	B541 3332	Guide Plate:Scanning:Outer	1
8	B351 3338	Shield - Transport Guide	1
9	B351 3335	Mylar - Transport Guide	1
10	B541 3351	Roller:Scanning	1
11	AA06 0845	Tension Spring	2
12	B541 3311	Guide Plate:Scanning:Ass'y	1
13	B351 3323	Rear Stopper - Scanning	1
14	B351 1965	Lever - Transport Roller	1
15	B351 3322	Front Stopper - Scanning	1
16	B351 3775	Roller Guide	1

Index No.	Part No.	Description	Q'ty Per Assembly
101	0802 5276	Tapping Screw With Washer - M3x6	
102	0451 3006N	Tapping Screw - 3x6	
103	0451 3008N	Tapping Screw - M3x8	
104	0805 0089	Retaining Ring - M4	

6.ORIGINAL EXIT (B714)

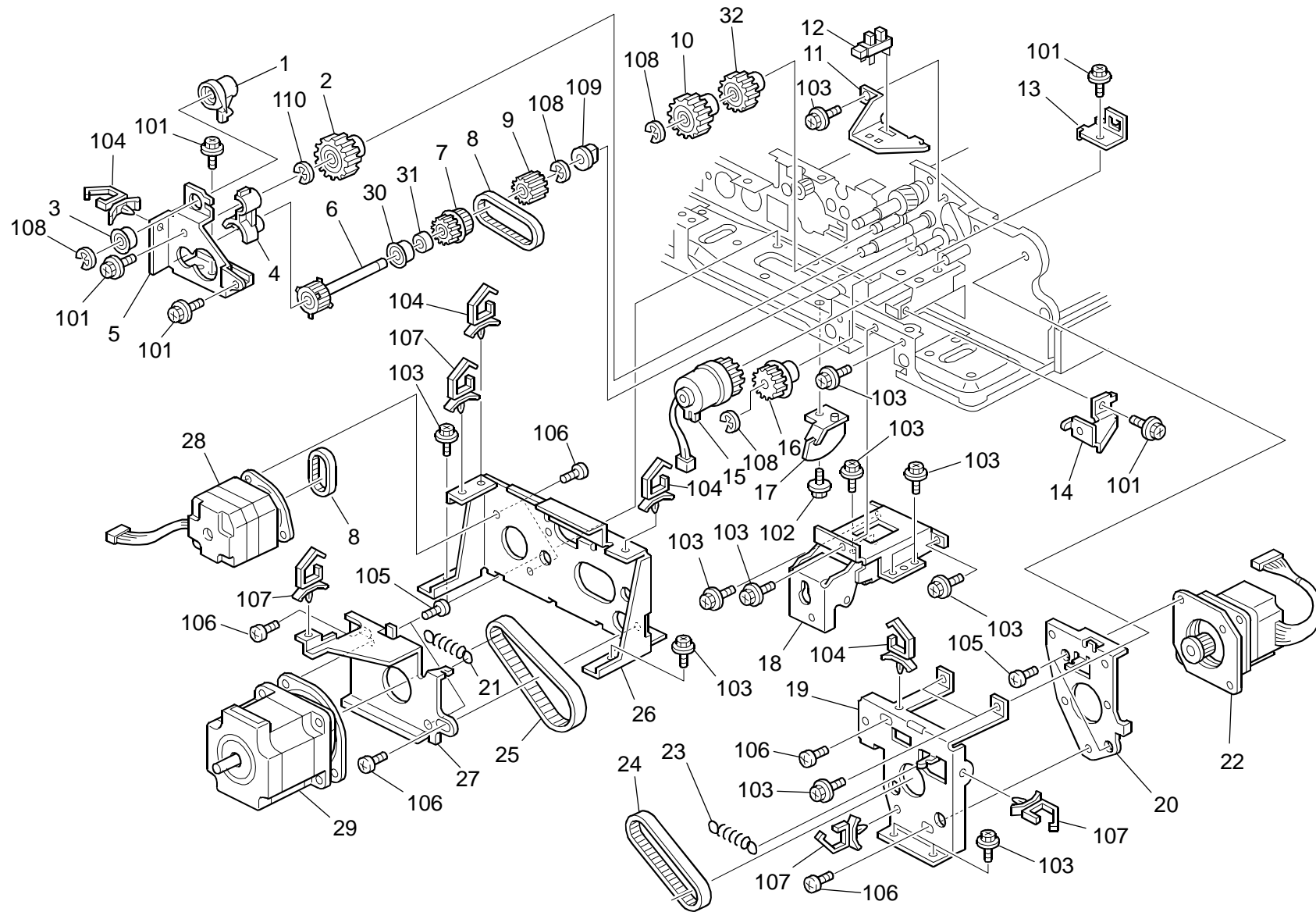


6.ORIGINAL EXIT (B714)

Index No.	Part No.	Description	Q'ty Per Assembly
1	AA04 3920	Timing Belt - S3M264	1
2	AA04 3919	Timing Belt - B245ST1.5-10	1
3	B351 3639	Guide Plate - Pressure Roller	1
4	B351 3612	Lower Exit Guide	1
5	B351 3743	Driven Roller	1
6	B351 3632	Arm - Driven Roller - Exit	5
7	AA08 3860	Pressure Spring	5
8	B351 3640	Driven Roller - Sponge	4
9	AA06 6631	Tension Spring	1
10	B351 3791	Stopper - Stamp	1
11	B714 5006	DC Solenoid:Transmitted Rubber Stamp	1
12	B597 3752	Roller:Scanning:Rear	1
13	B351 3642	Arm - Pressure Roller	1
14	AA08 3859	Pressure Spring	1
15	B351 3634	Shaft - Pressure Arm	1
16	B541 3635	Supporting Plate:Paper Exit Unit:Lower:Ass'y	1
17	B714 5270	Harness:Earth:Paper Exit Unit	1
18	B541 3701	Roller:Exit:Drive	1
19	B351 3613	Holder - Guide Plate	1
20	B351 3617	Lower Guide - Exit Roller	1
21	B714 3634	Cushion:Pressure Plate:Both Ends	2
22	B541 1951	Bracket:Tightener:Scanning:Ass'y	1
23	B351 1942	Pulley - 20T	1
24	AA06 0846	Tension Spring	1
25	AA14 3788	Pin:Guide Plate:Paper Feed	1
26	AA14 3790	Screw:Contact Point	1
27	B714 3633	Cushion:Pressure Plate:Middle	1

Index No.	Part No.	Description	Q'ty Per Assembly
101	0450 3008N	Tapping Screw - M3x8	
102	0451 3006N	Tapping Screw - 3x6	
103	0720 0030E	Retaining Ring - M3	

7.ELECTRICAL AND DRIVE 1 (B714)

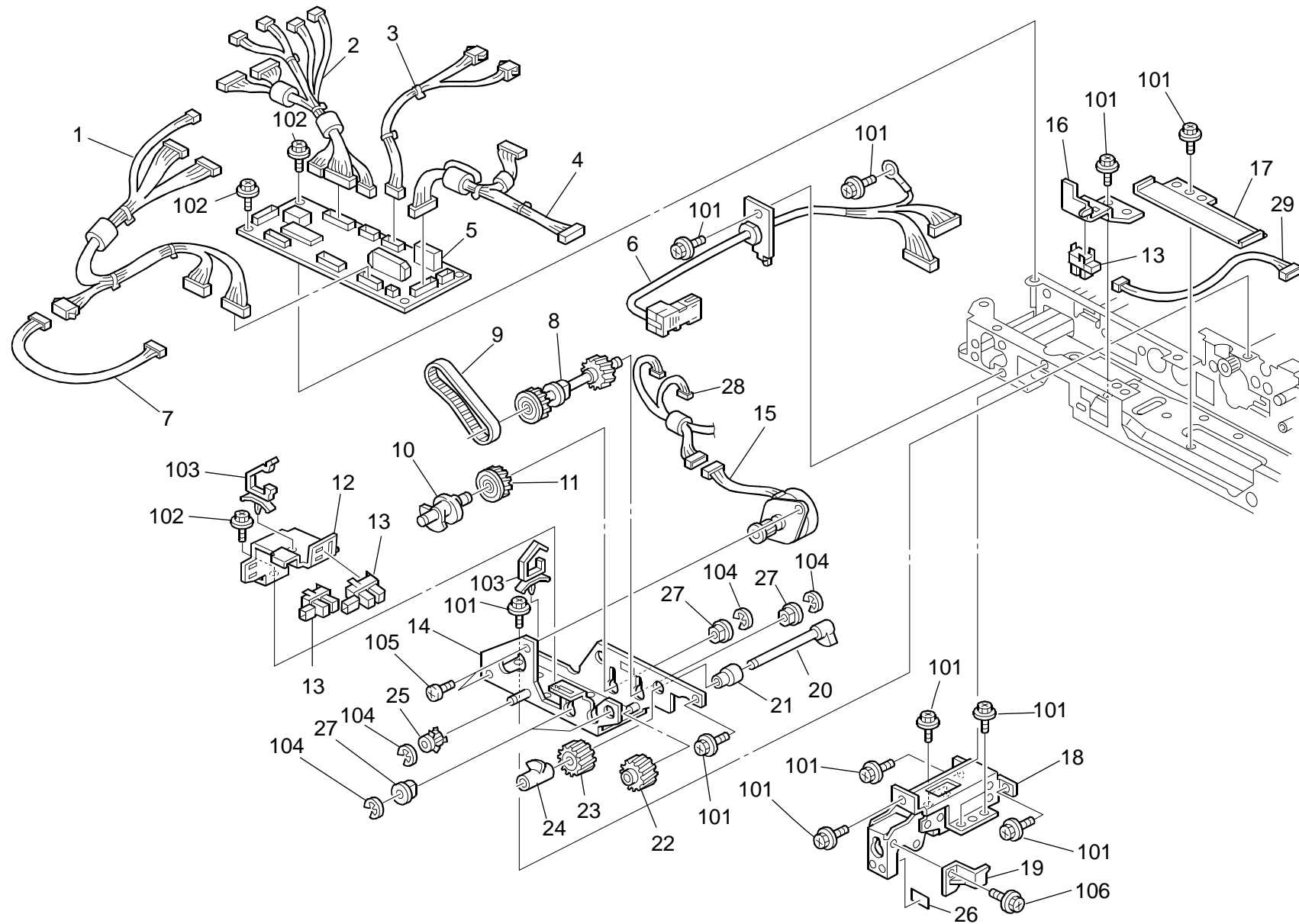


7.ELECTRIBAL AND DRIVE 1 (B714)

Index No.	Part No.	Description	Q'ty Per Assembly
1	B351 1651	Stopper - Separation Shaft	1
2	B351 1731	Gear - 28Z	1
3	A859 2230	Ball Bearing - 6x13x5	1
4	B351 1626	Stopper - Gear	1
5	B541 1611	Side Plate:Drive:Auxiliary	1
6	B351 1711	Timing Pulley - 30Z	1
7	B351 1721	Gear Pulley - 19T/31Z	1
8	AA04 3915	Timing Belt - B40S2M116	2
9	B351 1722	Gear - 18Z	1
10	B351 2431	Gear - 35Z	1
11	B541 1335	Bracket:Sensor:Paper Feed	1
12	AW02 0156	Photointerruptor:EE-SX4235A-P2	1
13	B541 1691	Stopper:Spring Clutch:Pull Out	1
14	B541 1146	Supporting Plate:Side Plate:Rear	1
15	AX20 0271	Magnetic Clutch:30Z	1
16	B351 2331	Timing Pulley - 32Z	1
17	B351 1196	Sensor Feeler	1
18	B714 1211	Hinge:Left:Ass'y	1
19	B541 1621	Bracket:Motor:Paper Feed	1
20	B541 1641	Stay:Motor:Paper Feed	1
21	AA06 0846	Tension Spring	1
22	B714 1811	Stepper Motor:Paper Feed:Ass'y	1
23	AA06 0842	Tension Spring	1
24	AA04 3914	Timing Belt - B60S2M252	1
25	AA04 3917	Timing Belt - B138ST1.5-10	1
26	B541 1912	Bracket:Motor:Scanning:Reverse	1
27	B541 1932	Bracket:Scanning:Link	1
28	B714 1971	Stepper Motor:Reverse:Ass'y	1
29	B714 1921	Stepper Motor:Scanning:Ass'y	1
30	A859 2230	Ball Bearing - 6x13x5	1
31	B351 1717	Spacer - Paper Feed	1
32	B351 2421	Gear - 28Z	1

Index No.	Part No.	Description	Q'ty Per Assembly
101	0451 3006N	Tapping Screw - 3x6	
102	0451 3008N	Tapping Screw - M3x8	
103	0802 5276	Tapping Screw With Washer - M3x6	
104	1105 0516	Clamp	
105	0354 0050N	Screw - M4X5	
106	0353 0050N	Screw-m3x5	
107	1105 0487	Harness Clamp	
108	0720 0040E	Retaining Ring - M4	
109	5053 0447	Bushing - 6mm	
110	0720 0060E	Retaining Ring - M6	

8.ELECTRICAL AND DRIVE 2 (B714)

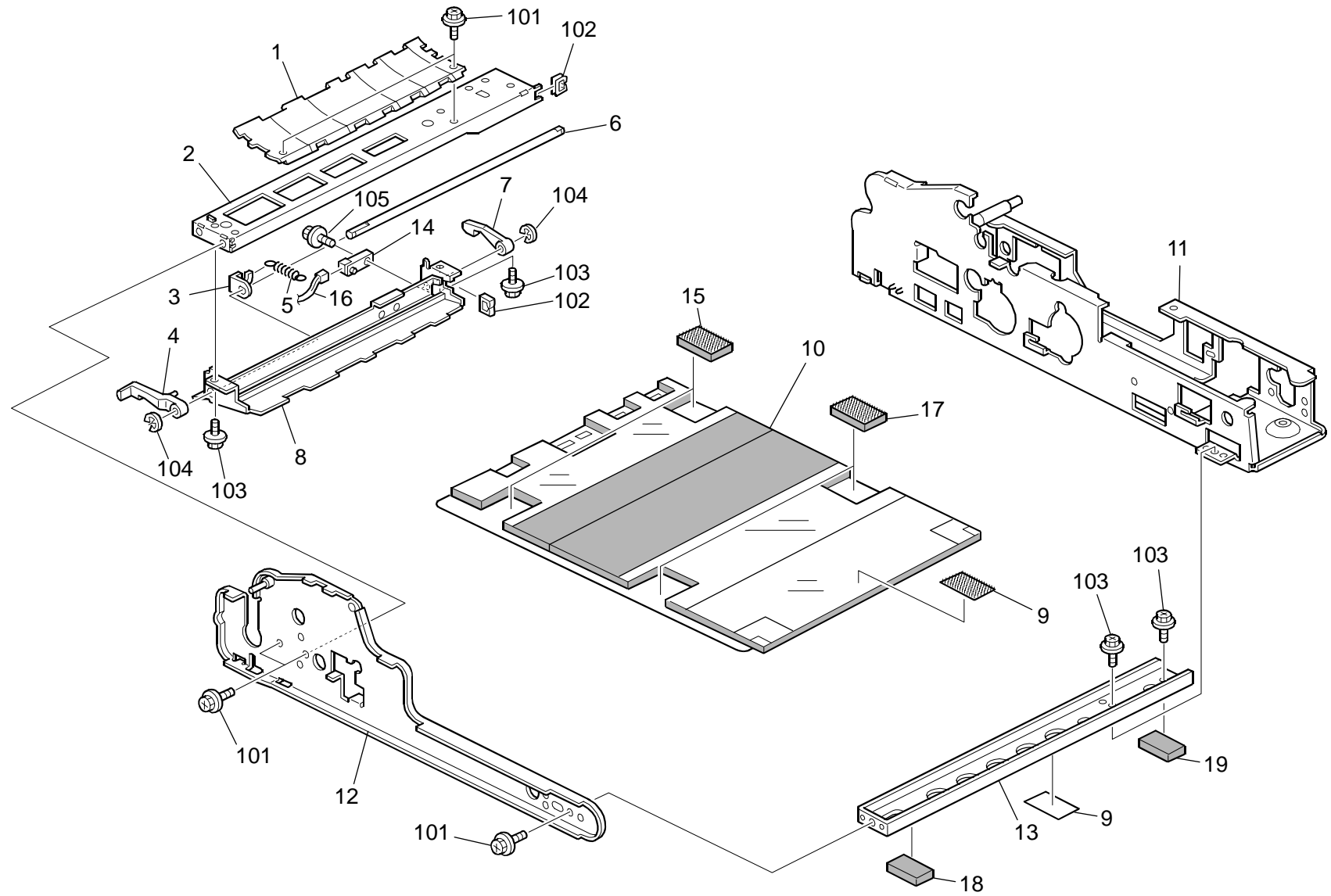


8.ELECTRIBAL AND DRIVE 2 (B714)

Index No.	Part No.	Description	Q'ty Per Assembly
1	B541 5340	Harness:Sensor:Registration	1
2	B541 5220	Harness:Sensor:Original Sensor	1
3	B541 5260	Harness:Solenoid:Stamp	1
4	B714 5280	Harness:Motor:Paper Feed	1
5	B714 5120	PCB:Main Control	1
6	B714 5201	Harness:Interface:Ass'y	1
7	B541 5320	Harness:Connecting:Exit	1
8	A680 2251	Gear - 17Z	1
9	AA04 3916	Timing Belt - B40S2M212	1
10	B351 1761	Cam - Paper Feed	1
11	B351 1791	Gear - 25Z	1
12	B541 1671	Bracket:Photointerruptor:Stopper:Paper Feed	1
13	AW02 0156	Photointerruptor:EE-SX4235A-P2	3
14	B541 1661	Bracket:Pickup:Drive:Ass'y	1
15	AX04 0139	Stepper Motor:MM42:0.95A:9.5V	1
16	B541 1192	Bracket:Sensor:Open And Close	1
17	B541 1181	Bracket:Guide:Harness	1
18	B714 1221	Hinge:Right:Ass'y	1
19	A859 1841	Filter - DF Open Sensor	1
20	B351 1751	Cam - Pick-up Roller	1
21	A548 2343	Clutch Stopper	1
22	B351 1781	Gear - 18Z	1
23	A680 2261	Gear - 24Z	1
24	B351 1756	Actuator - Pick-up Roller	1
25	A680 2241	Pulley - 18T	1
26	A334 4678	Rack Shield Mylar	1
27	5053 0447	Bushing - 6mm	3
28	B541 5290	Harness:Motor:Pick Up	1
29	B541 5230	Harness:Sensor:Lift-Up	1

Index No.	Part No.	Description	Q'ty Per Assembly
101	0802 5276	Tapping Screw With Washer - M3x6	
102	0451 3006N	Tapping Screw - 3x6	
103	1105 0516	Clamp	
104	0720 0040E	Retaining Ring - M4	
105	0353 0050N	Screw-M3x5	
106	0454 3006Q	Tapping Screw:3x6	

9.FRAME SECTION (B714)


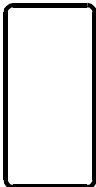
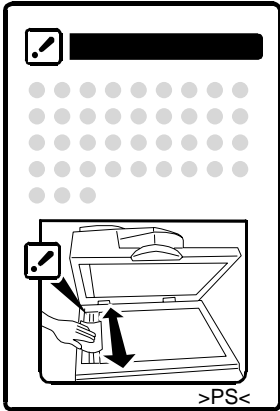
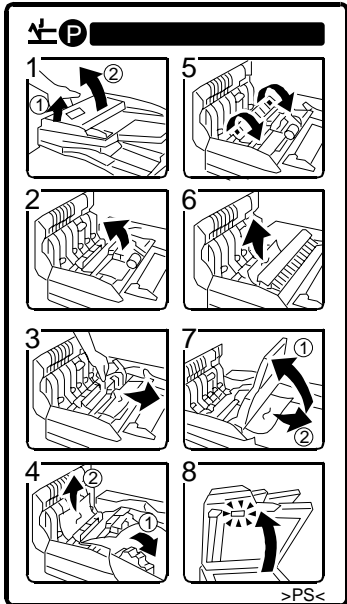
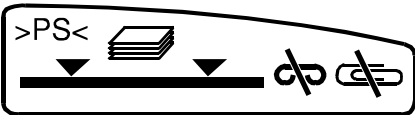
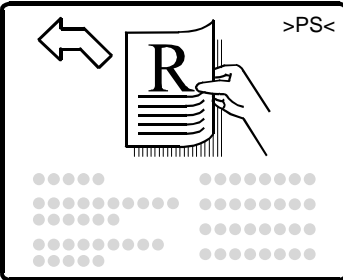
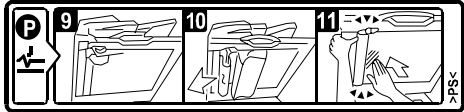
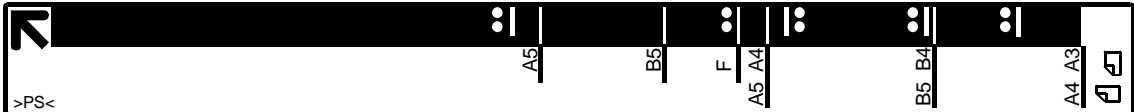


9.FRAME SECTION (B714)

Index No.	Part No.	Description	Q'ty Per Assembly
1	B541 3912	Guide Plate:Reverse:Lower	1
2	B541 1142	Stay:Middle	1
3	B541 3649	Anchor:Spring:Hook	1
4	B351 3666	Front Hook - Paper Exit	1
5	AA06 0850	Tension Spring	1
6	B351 3663	Shaft - Lock Lever	1
7	B351 3669	Rear Hook - Paper Exit	1
8	B541 3721	Guide Plate:Exit:Upper:Welding	1
9	B351 4322	Tape - Platen Sheet	2
10	B714 4311	Pressure Plate:Ass'y	1
11	B541 1121	Side Plate:Rear:Ass'y	1
12	B541 1111	Side Plate:Front:Ass'y	1
13	B541 1153	Right Stay	1
14	AW01 0109	Photo Refiection Sensor:PS117ED1	1
15	B597 4326	Cushion:Tape:Left	2
16	B541 5320	Harness:Connecting:Exit	1
17	B597 4333	Cushion:Tape:Middle	2
18	B714 3632	Cushion:Right:T8	1
19	B714 3631	Cushion:Right Inner Rear:T5	1

Index No.	Part No.	Description	Q'ty Per Assembly
101	0451 3006N	Tapping Screw - 3x6	
102	1105 0514	Edge Saddle - EDS-0607L	
103	0802 5276	Tapping Screw With Washer - M3x6	
104	0720 0030E	Retaining Ring - M3	
105	0451 3012N	Tapping Screw:3x12	

10.DECAL AND DOCUMENTS (B714)

<p>1</p> 	<p>2</p> 	<p>3</p> 	<p>7</p> 
<p>4</p> 		<p>5</p> 	<p>8</p> 
<p>6</p> 			

10.DECAL AND DOCUMENTS (B714)

Index No.	Part No.	Description	Q'ty Per Assembly
1	A054 2977	Decal - Vertical Transport Guide	1
2	A858 6022	Decal Blue	1
3	G564 6077	Decal:Exposure Glass:5-Lang	1
4	B386 6043	Decal - Side Fence	1
5	B541 6011	Decal:Display:Original Table	1
6	G564 6021	Decal - Original Size	1
7	G564 6032	Decal - Misfeed Removal	1
8	G564 6041	Decal - Exit Misfeed Removal	1
9	G564 6087	Decal:Exposure Glass:5-Lang	1

Index No.	Part No.	Description	Q'ty Per Assembly

Parts Index

PM Parts Index

Section Name	Part No.	Description in Service Manual	Description in Parts Catalog	Q'ty Per Assembly	Page and Index No.
ORIGINAL FEED 2 (B714)	A859 2241	Reverse Roller	Reverse Roller	1	7 - 17
ORIGINAL FEED 3 (B714)	B351 2222	Paper Feed Belt	Paper Feed Belt	1	9 - 14
	B351 2126	Pickup Roller	Pickup Roller	1	9 - 15

Parts Index

Part No.	Description	Page and Index No.
B714 1211	Hinge:Left:Ass'y	15 - 18
B714 1221	Hinge:Right:Ass'y	17 - 18
B714 1251	Stopper:Hinge:Left	3 - 21
B714 1252	Stopper:Hinge:Right	3 - 22
B714 1371	Supporting Plate:Cover:Rear:Ass'y	5 - 2
B714 1375	Supporting Plate:Cover:Front:Ass'y	5 - 22
B714 1811	Stepper Motor:Paper Feed:Ass'y	15 - 22
B714 1921	Stepper Motor:Scanning:Ass'y	15 - 29
B714 1971	Stepper Motor:Reverse:Ass'y	15 - 28
B714 2010	Paper Feed Belt:Ass'y	9 - 26
B714 3631	Cushion:Right Inner Rear:T5	19 - 19
B714 3632	Cushion:Right:T8	19 - 18
B714 3633	Cushion:Pressure Plate:Middle	13 - 27
B714 3634	Cushion:Pressure Plate:Both Ends	13 - 21
B714 3861	DC Solenoid:Reverse:Outer:Ass'y	7 - 27
B714 4311	Pressure Plate:Ass'y	19 - 10
B714 5006	DC Solenoid:Transmitted Rubber Stamp	13 - 11
B714 5120	PCB:Main Control	17 - 5
B714 5201	Harness:Interface:Ass'y	17 - 6
B714 5270	Harness:Earth:Paper Exit Unit	13 - 17
B714 5280	Harness:Motor:Paper Feed	17 - 4
B714 5330	Harness:Connecting:Original Sensor	3 - 6

Part No.	Description	Page and Index No.
A054 2977	Decal - Vertical Transport Guide	21 - 1
A054 2977	Decal - Vertical Transport Guide	9 - 1
A294 6700	Torque Limiter - 53MNXM	7 - 16
A334 4678	Rack Shield Mylar	17 - 26
A376 1465	Feed Roller Bushing	7 - 36
A376 4599	Side Fence Pad	3 - 3
A376 4911	Stepped Screw - Left Hinge	3 - 16
A458 2251	Cushion - Bin Solenoid Lever	7 - 38
A548 2343	Clutch Stopper	17 - 21
A628 1225	Bushing - 8mm	9 - 24
A628 3115	Knob Screw - M4	3 - 19
A680 1865	Shaft - Belt Guide Roller	9 - 17
A680 2241	Pulley - 18T	17 - 25
A680 2251	Gear - 17Z	17 - 8
A680 2261	Gear - 24Z	17 - 23
A680 3161	Driven Roller	7 - 8
A858 4671	Roller Driven	3 - 9
A858 4676	Spring Plate - Pressure Roller	3 - 8
A858 6022	Decal Blue	21 - 2
A858 6022	Decal Blue	9 - 6
A859 1841	Filter - DF Open Sensor	17 - 19
A859 2230	Ball Bearing - 6x13x5	15 - 30
A859 2230	Ball Bearing - 6x13x5	15 - 3
A859 2230	Ball Bearing - 6x13x5	7 - 32
A859 2241	Reverse Roller	7 - 17
B351 1135	Arm - Driven Roller	11 - 4
B351 1137	Shaft - Driven Roller	11 - 6
B351 1196	Sensor Feeler	15 - 17
B351 1626	Stopper - Gear	15 - 4
B351 1651	Stopper - Separation Shaft	15 - 1
B351 1711	Timing Pulley - 30Z	15 - 6
B351 1717	Spacer - Paper Feed	15 - 31
B351 1721	Gear Pulley - 19T/31Z	15 - 7
B351 1722	Gear - 18Z	15 - 9
B351 1731	Gear - 28Z	15 - 2

Part No.	Description	Page and Index No.
B351 1741	Drive Gear - Paper Feed	9 - 20
B351 1751	Cam - Pick-up Roller	17 - 20
B351 1756	Actuator - Pick-up Roller	17 - 24
B351 1761	Cam - Paper Feed	17 - 10
B351 1781	Gear - 18Z	17 - 22
B351 1791	Gear - 25Z	17 - 11
B351 1942	Pulley - 20T	13 - 23
B351 1965	Lever - Transport Roller	11 - 14
B351 2111	Shaft - Paper Feed	9 - 8
B351 2126	Pickup Roller	9 - 15
B351 2131	Pick-up Lever	9 - 7
B351 2141	Rear Guide - Paper Feed	9 - 9
B351 2151	Front Guide - Paper Feed	9 - 4
B351 2161	Arm - Pick-up Roller	9 - 10
B351 2181	Bushing - 8mm	9 - 18
B351 2222	Paper Feed Belt	9 - 14
B351 2231	Timing Pulley - 36Z	9 - 19
B351 2242	Timing Pulley - 26/30Z	9 - 16
B351 2252	Bracket:Paper Feed Belt	9 - 5
B351 2311	Original Stopper	7 - 12
B351 2321	Pull Out Roller	7 - 11
B351 2331	Timing Pulley - 32Z	15 - 16
B351 2410	Shaft - Reverse Roller	7 - 15
B351 2421	Gear - 28Z	15 - 32
B351 2431	Gear - 35Z	15 - 10
B351 2511	Upper Guide - Paper Separation	7 - 3
B351 2522	Cap:Guide:Separation:Upper	7 - 1
B351 2531	Stud - Original Sensor Feeler	7 - 6
B351 2541	Feeler - Original Sensor	7 - 5
B351 2561	Entrance Sheet - Separation	7 - 4
B351 2571	Sheet - Pick-up Roller	7 - 2
B351 3141	Pull-out Roller	5 - 16
B351 3182	Driven Roller	5 - 21
B351 3183	Holder - Driven Roller	5 - 20
B351 3191	Guide Plate:Transport:Lower	9 - 2

Part No.	Description	Page and Index No.
B351 3322	Front Stopper - Scanning	11 - 15
B351 3323	Rear Stopper - Scanning	11 - 13
B351 3335	Mylar - Transport Guide	11 - 9
B351 3338	Shield - Transport Guide	11 - 8
B351 3612	Lower Exit Guide	13 - 4
B351 3613	Holder - Guide Plate	13 - 19
B351 3617	Lower Guide - Exit Roller	13 - 20
B351 3632	Arm - Driven Roller - Exit	13 - 6
B351 3634	Shaft - Pressure Arm	13 - 15
B351 3639	Guide Plate - Pressure Roller	13 - 3
B351 3640	Driven Roller - Sponge	13 - 8
B351 3642	Arm - Pressure Roller	13 - 13
B351 3663	Shaft - Lock Lever	19 - 6
B351 3666	Front Hook - Paper Exit	19 - 4
B351 3669	Rear Hook - Paper Exit	19 - 7
B351 3743	Driven Roller	13 - 5
B351 3775	Roller Guide	11 - 16
B351 3791	Stopper - Stamp	13 - 10
B351 3822	Inverter Gate	7 - 22
B351 3825	Cushion - Inverter Gate	7 - 37
B351 3827	Exit Guide	7 - 39
B351 3835	Discharge Brush - Exit	7 - 21
B351 3882	Inverter Roller	7 - 24
B351 3932	Arm - Reverse Roller	7 - 9
B351 3933	Shaft - Reverse Roller	7 - 7
B351 4142	Stopper - Original Table	7 - 25
B351 4322	Tape - Platen Sheet	19 - 9
B351 4512	Shaft - Lever	5 - 13
B351 4522	Front Lever - Top Cover	5 - 6
B351 4526	Rear Lever - Top Cover	5 - 14
B351 4536	Cushion - Paper Feed	5 - 8
B351 4538	Cushion - Pickup Roller Arm	5 - 29
B386 6043	Decal - Side Fence	21 - 4
B386 6043	Decal - Side Fence	3 - 17
B541 1111	Side Plate:Front:Ass'y	19 - 12

Part No.	Description	Page and Index No.
B541 1121	Side Plate:Rear:Ass'y	19 - 11
B541 1131	Stay:Left:Ass'y	11 - 2
B541 1142	Stay:Middle	19 - 2
B541 1146	Supporting Plate:Side Plate:Rear	15 - 14
B541 1153	Right Stay	19 - 13
B541 1161	Stay:Paper Feed:Ass'y	7 - 20
B541 1181	Bracket:Guide:Harness	17 - 17
B541 1192	Bracket:Sensor:Open And Close	17 - 16
B541 1321	Stud:Contact Point:Guide:Ass'y	9 - 21
B541 1335	Bracket:Sensor:Paper Feed	15 - 11
B541 1611	Side Plate:Drive:Auxiliary	15 - 5
B541 1621	Bracket:Motor:Paper Feed	15 - 19
B541 1641	Stay:Motor:Paper Feed	15 - 20
B541 1661	Bracket:Pickup:Drive:Ass'y	17 - 14
B541 1671	Bracket:Photointerruptor:Stopper:Paper Feed	17 - 12
B541 1691	Stopper:Spring Clutch:Pull Out	15 - 13
B541 1912	Bracket:Motor:Scanning:Reverse	15 - 26
B541 1932	Bracket:Scanning:Link	15 - 27
B541 1951	Bracket:Tightener:Scanning:Ass'y	13 - 22
B541 3115	Guide:Cover:Paper Feed	5 - 25
B541 3165	Bracket:Paper Size Sensor	5 - 10
B541 3171	Bracket:Pressure Plate:Pull Out	5 - 15
B541 3311	Guide Plate:Scanning:Ass'y	11 - 12
B541 3332	Guide Plate:Scanning:Outer	11 - 7
B541 3351	Roller:Scanning	11 - 10
B541 3635	Supporting Plate:Paper Exit Unit:Lower:Ass'y	13 - 16
B541 3649	Anchor:Spring:Hook	19 - 3
B541 3701	Roller:Exit:Drive	13 - 18
B541 3721	Guide Plate:Exit:Upper:Welding	19 - 8
B541 3912	Guide Plate:Reverse:Lower	19 - 1
B541 3952	Bracket:Sensor:Reverse	7 - 14
B541 4123	Original Table	3 - 4
B541 4133	Original Table:Behind	3 - 10
B541 5220	Harness:Sensor:Original Sensor	7 - 19
B541 5220	Harness:Sensor:Original Sensor	17 - 2

Part No.	Description	Page and Index No.
B541 5230	Harness:Sensor:Lift-Up	17 - 29
B541 5260	Harness:Solenoid:Stamp	17 - 3
B541 5290	Harness:Motor:Pick Up	17 - 28
B541 5290	Harness:Motor:Pick Up	7 - 40
B541 5310	Harness:Connecting:Registration	5 - 12
B541 5320	Harness:Connecting:Exit	19 - 16
B541 5320	Harness:Connecting:Exit	17 - 7
B541 5340	Harness:Sensor:Registration	17 - 1
B541 6011	Decal:Display:Original Table	21 - 5
B541 6011	Decal:Display:Original Table	3 - 5
B597 1136	Roller:Scanning:Front	11 - 5
B597 3752	Roller:Scanning:Rear	13 - 12
B597 4326	Cushion:Tape:Left	19 - 15
B597 4333	Cushion:Tape:Middle	19 - 17
G564 3831	Guide Plate:Reverse:Outer:Ass'y	7 - 23
G564 4125	Side Fence	3 - 2
G564 4151	Rail - Side Fence	3 - 1
G564 4212	Front Cover	3 - 12
G564 4222	Rear Cover	3 - 15
G564 4232	Exit Tray	3 - 14
G564 4252	Lower Paper Feed Cover	11 - 1
G564 4511	Paper Feed Cover	5 - 5
G564 4515	Grip - Cover	5 - 1
G564 6021	Decal - Original Size	5 - 9
G564 6021	Decal - Original Size	21 - 6
G564 6032	Decal - Misfeed Removal	5 - 3
G564 6032	Decal - Misfeed Removal	21 - 7
G564 6041	Decal - Exit Misfeed Removal	3 - 13
G564 6041	Decal - Exit Misfeed Removal	21 - 8
G564 6077	Decal:Exposure Glass:5-Lang	5 - 4
G564 6077	Decal:Exposure Glass:5-Lang	21 - 3
G564 6087	Decal:Exposure Glass:5-Lang	3 - 20
G564 6087	Decal:Exposure Glass:5-Lang	21 - 9

Part No.	Description	Page and Index No.
AA04 3914	Timing Belt - B60S2M252	15 - 24
AA04 3915	Timing Belt - B40S2M116	15 - 8
AA04 3916	Timing Belt - B40S2M212	17 - 9
AA04 3917	Timing Belt - B138ST1.5-10	15 - 25
AA04 3919	Timing Belt - B245ST1.5-10	13 - 2
AA04 3920	Timing Belt - S3M264	13 - 1
AA04 3929	Timing Belt - B40S2M114	9 - 12
AA06 0842	Tension Spring	15 - 23
AA06 0843	Tension Spring	7 - 13
AA06 0844	Tension Spring	5 - 7
AA06 0845	Tension Spring	11 - 11
AA06 0846	Tension Spring	15 - 21
AA06 0846	Tension Spring	13 - 24
AA06 0848	Tension Spring	7 - 28
AA06 0849	Tension Spring	7 - 10
AA06 0850	Tension Spring	19 - 5
AA06 3856	Pressure Spring	5 - 23
AA06 3857	Pressure Spring	5 - 28
AA06 3858	Pressure Spring	5 - 27
AA06 3861	Pressure Spring	9 - 3
AA06 3863	Pressure Spring	9 - 13
AA06 6629	Tension Spring	9 - 11
AA06 6630	Tension Spring	11 - 3
AA06 6631	Tension Spring	13 - 9
AA08 3859	Pressure Spring	13 - 14
AA08 3860	Pressure Spring	13 - 7
AA13 2013	Spacer	9 - 23
AA14 3788	Pin:Guide Plate:Paper Feed	13 - 25
AA14 3788	Pin:Guide Plate:Paper Feed	5 - 24
AA14 3788	Pin:Guide Plate:Paper Feed	7 - 35
AA14 3790	Screw:Contact Point	13 - 26
AA14 3795	Screw:Lamp:Bracket	7 - 30
AG07 0513	Magnet Catch:Original Table:25.5n	3 - 11
AW01 0091	Photo Reflection Sensor	5 - 17
AW01 0109	Photo Refiection Sensor:PS117ED1	19 - 14

Part No.	Description	Page and Index No.
AW01 0109	Photo Refiection Sensor:PS117ED1	7 - 18
AW01 0109	Photo Refiection Sensor:PS117ED1	5 - 19
AW01 0112	Photo Refiection Sensor:Original Table	3 - 7
AW02 0154	Photointerruptor:Entrance	5 - 26
AW02 0155	Photointerruptor:Paper Size Sensor	5 - 11
AW02 0156	Photointerruptor:EE-SX4235A-P2	15 - 12
AW02 0156	Photointerruptor:EE-SX4235A-P2	7 - 33
AW02 0156	Photointerruptor:EE-SX4235A-P2	17 - 13
AX04 0139	Stepper Motor:MM42:0.95A:9.5V	17 - 15
AX20 0271	Magnetic Clutch:30Z	15 - 15

Part No.	Description	Page and Index No.
0353 0050N	Screw-m3x5	3 - 103
0353 0050N	Screw-M3x5	17 - 105
0353 0050N	Screw-m3x5	15 - 106
0354 0050N	Screw - M4X5	15 - 105
0450 3008N	Tapping Screw - M3x8	13 - 101
0451 3006N	Tapping Screw - 3x6	11 - 102
0451 3006N	Tapping Screw - 3x6	19 - 101
0451 3006N	Tapping Screw - 3x6	17 - 102
0451 3006N	Tapping Screw - 3x6	7 - 102
0451 3006N	Tapping Screw - 3x6	15 - 101
0451 3006N	Tapping Screw - 3x6	13 - 102
0451 3008N	Tapping Screw - M3x8	3 - 102
0451 3008N	Tapping Screw - M3x8	15 - 102
0451 3008N	Tapping Screw - M3x8	11 - 103
0451 3010N	Tapping Screw:3x10	5 - 104
0451 3012N	Tapping Screw:3x12	19 - 105
0451 3012N	Tapping Screw:3x12	7 - 107
0452 3008N	Tapping Screw - M3x8	3 - 101
0452 3008N	Tapping Screw - M3x8	5 - 102
0452 3008N	Tapping Screw - M3x8	7 - 106
0454 3006Q	Tapping Screw:3x6	17 - 106
0632 0120G	Parallel Pin - 2x12	9 - 105
0720 0030E	Retaining Ring - M3	19 - 104
0720 0030E	Retaining Ring - M3	13 - 103
0720 0030E	Retaining Ring - M3	7 - 103
0720 0040E	Retaining Ring - M4	5 - 101
0720 0040E	Retaining Ring - M4	17 - 104
0720 0040E	Retaining Ring - M4	9 - 104
0720 0040E	Retaining Ring - M4	15 - 108
0720 0060E	Retaining Ring - M6	9 - 103
0720 0060E	Retaining Ring - M6	15 - 110
0742 3808	Ball Bearing - 8x16x5	7 - 104
0802 5276	Tapping Screw With Washer - M3x6	15 - 103
0802 5276	Tapping Screw With Washer - M3x6	19 - 103
0802 5276	Tapping Screw With Washer - M3x6	7 - 108

Part No.	Description	Page and Index No.
0802 5276	Tapping Screw With Washer - M3x6	17 - 101
0802 5276	Tapping Screw With Washer - M3x6	11 - 101
0802 5276	Tapping Screw With Washer - M3x6	9 - 101
0805 0088	Retaining Ring - M6	7 - 105
0805 0089	Retaining Ring - M4	11 - 104
0805 0089	Retaining Ring - M4	9 - 102
0951 4010B	Philips Screw With Washer - M4x10	3 - 104
1105 0487	Harness Clamp	15 - 107
1105 0514	Edge Saddle - EDS-0607L	19 - 102
1105 0514	Edge Saddle - EDS-0607L	7 - 109
1105 0516	Clamp	17 - 103
1105 0516	Clamp	5 - 103
1105 0516	Clamp	7 - 101
1105 0516	Clamp	15 - 104

Part No.	Description	Page and Index No.
5053 0447	Bushing - 6mm	7 - 26
5053 0447	Bushing - 6mm	15 - 109
5053 0447	Bushing - 6mm	17 - 27
5206 2686	Snap Ring	7 - 29
5215 2621	Snap Ring - M6	3 - 18
5215 2621	Snap Ring - M6	7 - 34
5304 1639	Bushing - 8mm	9 - 25
5447 2681	Snap Ring	5 - 18
5447 2681	Snap Ring	7 - 31
5447 2681	Snap Ring	9 - 22

Part No.	Description	Page and Index No.